

POWERFLEX®

PART NUMBER

PFF85-201G

DESCRIPTION

FRONT WISHBONE FRONT BUSH CAMBER ADJUSTABLE

INSTALLATION GUIDE

Contents (parts per pack):

- 2 x Polyurethane A Bushes
- 1 x PTFE/Silicone Grease
- 2 x Polyurethane B Bushes
- 2 x Stainless Steel Sleeves
- 1 x Zinc Plated Steel Spanner

Please read the complete fitting instructions and check package components before fitment. These fitting instructions are to be used as a guide and in conjunction with workshop manual.

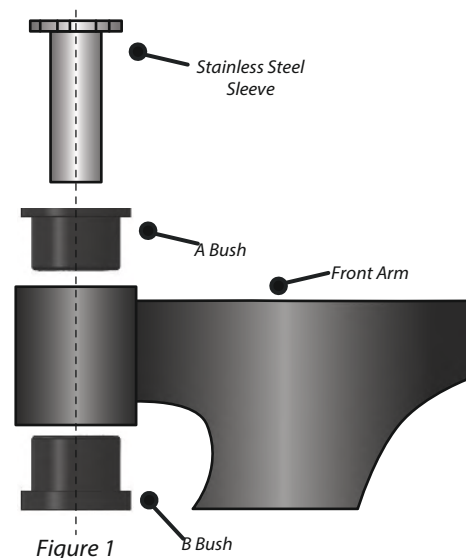
It is recommended that:

- all work to be carried out by a licensed technician;
- all safety precautions adhered to;
- wheel alignment to be checked and adjusted as required after any suspension work.
- All fasteners must be tensioned to manufacturer's torque settings.



Fitting Instructions:

1. Remove the original rubber bush from the arm and clean any sharp edges or burrs from the bore of the arm using a rounded file.
2. Push the thinner flanged Bush A into the front of the arm and thicker flanged Bush B into the rear, as shown in Fig 1.
3. Apply some of the supplied grease to the bore of the polyurethane bush and insert the stainless steel sleeve with the adjusting head against Bush A.
4. Refit the wishbone to the vehicle, leaving the mounting bolt slightly loose.
5. Using appropriate alignment equipment, align the wheel camber to the desired settings using the supplied adjusting spanner.
6. Once adjusted to the desired settings, tighten all hardware to the manufacturer's recommended torque specs.



Offset Hole for Adjustable Camber

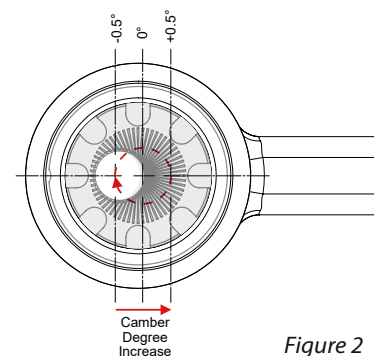


Figure 2